

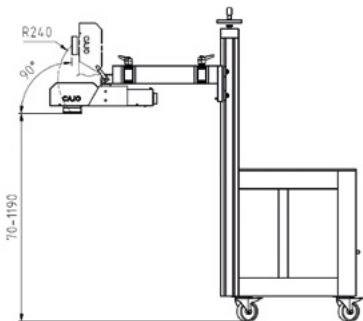
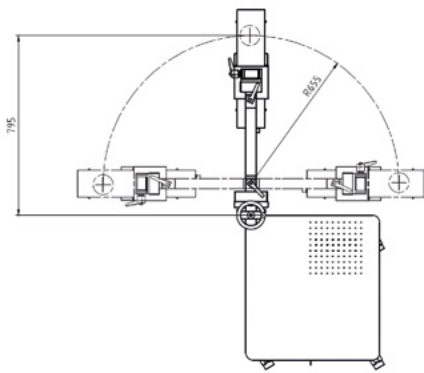
Cajo Sirius

Animation of Cajo
Sirius' Functionality



Cajo Sirius is an innovative, flexible and user friendly laser marking solution for any marking need. System's fiber laser enables permanent markings on numerous materials, like metals, coated metals, and plastics. Cajo's own patented method allows for all the colors of the rainbow on the surface of stainless steel.

Cajo Sirius system is easy to transfer and the ability to adjust the marking head into almost any angle (see product video), makes it possible to mark even the most challenging objects. The markings are fast and extremely precise. The system can be adjusted to mark moving objects, including the objects which are moving vertically.



Technical data

Laser type	Pulsed fiber
Power	20 W
Scan head	High-speed optical galvanometers
Scanning speed (max)	300 characters/s or 393.70 in/s
Marking field	6.9 x 6.9 in
Max size for the markable part	Unlimited
The focus distance	Shown digitally
Cooling	Air
Power supply	110-240 V / 50-60 Hz
Operating system	Windows 7
Marking softwares	CajoMark, CajoCad
Remote access	CajoLink
Dimensions	39.4 x 25.6 x 58.3 in (in transfer position)
Weight	221 lb
Connectivity	USB, Ethernet, RS232, I/O 24 VDC, 4 x input, 4 x output
Marking library	Price includes library for 10 materials