

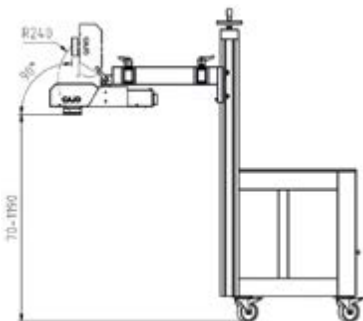
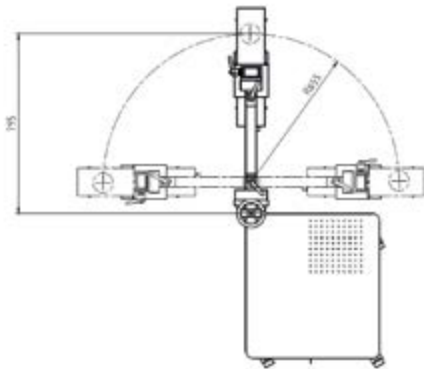
# Cajo Sirius

Animation of Cajo  
Sirius' Functionality



Cajo Sirius is an innovative, flexible and user friendly laser marking solution for any marking need. System's fiber laser enables permanent markings on numerous materials, like metals, coated metals, and plastics.

Cajo Sirius system is easy to transfer and the ability to adjust the marking head into almost any angle (see product video), makes it possible to mark even the most challenging objects. The markings are fast and extremely precise. The system can be adjusted to mark moving objects, including the objects which are moving vertically.



## Technical data

Laser type	Pulsed fiber
Wavelength	1060–1080 nm
Laser power	20 W
Scan head	High-speed optical galvanometers
Scanning speed (max)	300 characters/s or 10 m/s
Marking field	175 x 175 mm
Max size for the markable part	Unlimited
The focus distance	Shown digitally
Cooling	Air
Power supply	110–240 V / 50–60 Hz
Dimensions	1000 x 650 x 1480 mm (in transfer position)
Weight	100 kg
Connectivity	USB, Ethernet, RS232, I/O 24 VDC, 4 x input, 4 x output
Operating temperature	10–30 °C , humidity ≤80 %
Operating system	Windows 7
Marking softwares	CajoMark, CajoCad
Remote access	CajoLink